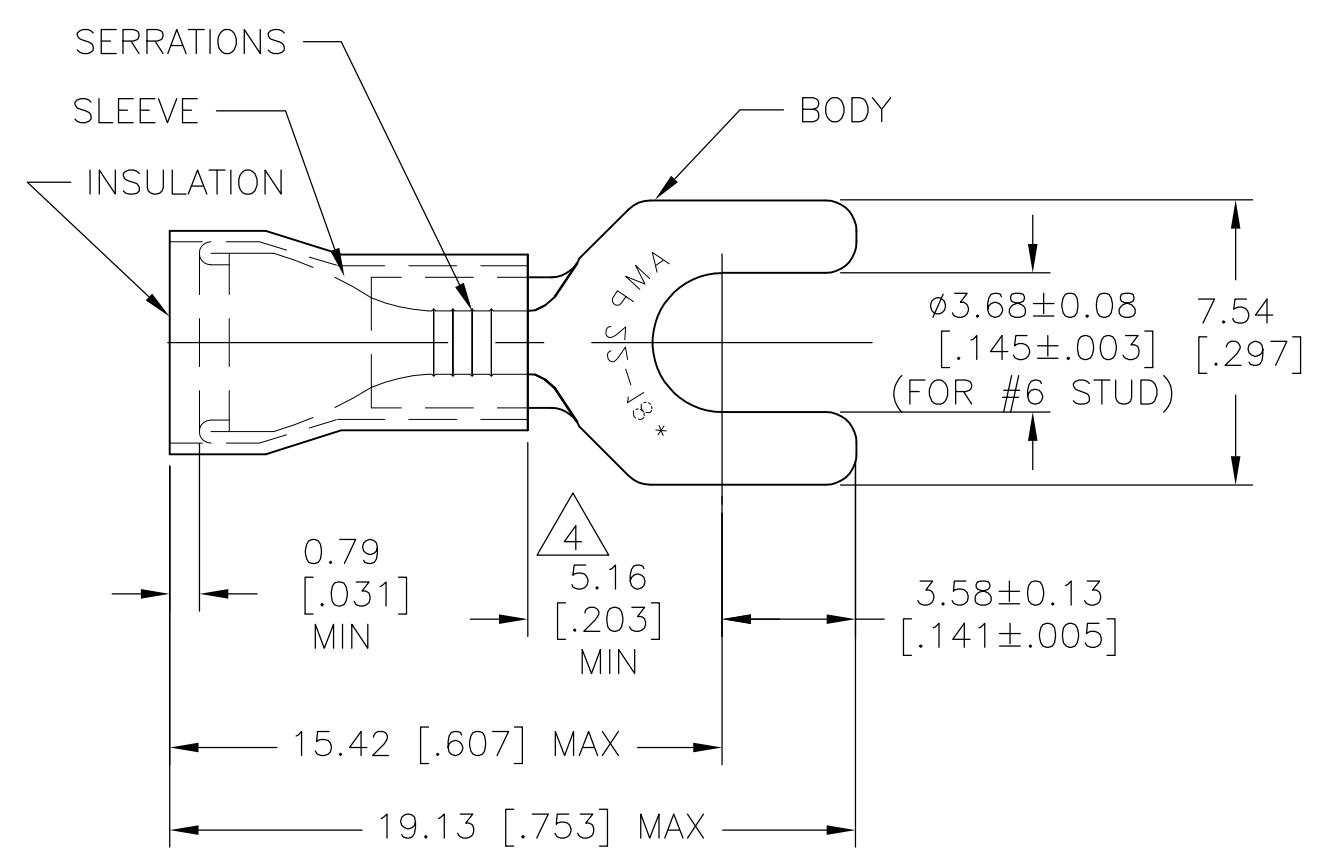


THIS DRAWING IS UNPUBLISHED. RELEASED FOR PUBLICATION
 © COPYRIGHT - By - ALL RIGHTS RESERVED.

LOC	DIST	REVISIONS					
		P	LTR	DESCRIPTION	DATE	DWN	APVD
G	14		G2	REVISED PER ECO-11-004820	11MAR11	RK	HMR



- 1 TONGUE MATERIAL THICKNESS = 0.79 ± 0.05 [.031 ± .002]
- 2 FOR 2.67 [.105] TO 3.56 [.140] WIRE INSULATION DIA
- 3 MARKING 22-18 FOR MILITARY COMMERCIAL RANGE 22-16
- 4 APPLIES FROM METAL EDGE OF BARREL TO CENTERLINE OF STUD

QTY	DESCRIPTION	MATERIAL & FINISH	PART NO
100	LOOSE PIECE, BOX	BODY: COPPER (ASTM-B152) TIN PL (ASTM-B545)	8-326861-1
1	326861 ON TAPE	SLEEVE: COPPER (ASTM-B152) TIN PL (ASTM-B545)	2-326861-1
1	WIRE TERMINAL	INSULATION: NYLON COLOR: RED	326861

CUSTOMER SERVICE SYSTEMS		MAX RECOMMENDED OPERATING TEMPERATURE: 105°C [221° F]	THIS DRAWING IS A CONTROLLED DOCUMENT.		DWN JR RUTH 15JUL09	STE TE Connectivity				
FOR ADDITIONAL PRODUCT INFORMATION OR COPIES OF DRAWINGS AND TECHNICAL DOCUMENTS	PRODUCT INFORMATION CENTER 1-800-522-6752	VOLTAGE RATING: 300V MAX	DIMENSIONS: mm [INCHES]	TOLERANCES UNLESS OTHERWISE SPECIFIED:	CHK TOM MICHIELUTTI 15JUL09				NAME WIRE-TERMINAL PIDG-SPADE WIRE SIZE: 22-16	
FOR APPLICATION TOOLING INFORMATION	TOOLING ASSISTANCE CENTER 1-800-722-1111	CIRCULAR MIL AREA: 1.04-2.62mm² [2,050-5,180] SOLID OR STRANDED		0 PLC ± - 1 PLC ± - 2 PLC ± - 3 PLC ± 0.20 [.008] 4 PLC ± - ANGLES ± .5°	APVD TOM MICHIELUTTI 15JUL09	PRODUCT SPEC	SIZE	CAGE CODE	DRAWING NO	RESTRICTED TO
FOR ORDER ENTRY	1-800-526-5142		MATERIAL SEE TABLE	FINISH SEE TABLE	APPLICATION SPEC	WEIGHT	A3	00779	G-326861	
					CUSTOMER DRAWING			SCALE	SHEET	REV
								5:1	1 OF 1	G2